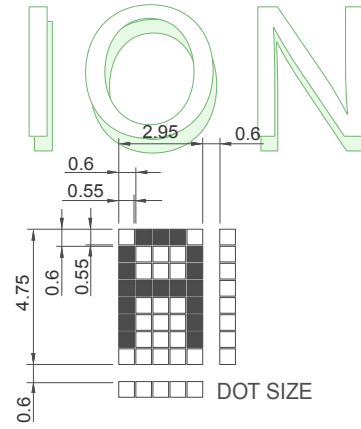
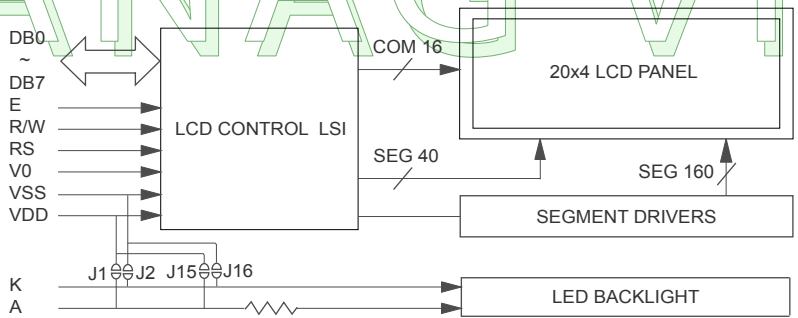


ANAGGLISION



DISPLAY POSITION	1	2	3	4	5	6	7	8	9	10	11	12	-	-	19	20
LINE 1	00	01													12	13
LINE 2	40	41													52	53
LINE 3	14	15													26	27
LINE 4	54	55													66	67

PIN ASSIGNMENT

NO.	SYMBOL	FUNCTION DISCRIPTION
1	VSS	GND, 0V
2	VDD	+5V (+3V ON REQUEST)
3	V0	LCD DRIVE
4	RS	FUNCTION SELECT
5	R/W	READ/WRITE CONTROL
6	E	ENABLE SIGNAL
7-14	DB0-DB7	DATA BUS LINE
15	A*	4.2V FOR LED
16	K	POWER SUPPLY FOR LED 0V

MECHANICAL DATA

ITEM	STANDARD VALUE	UNIT
MODULE SIZE	98.0 x 60.0	MM
VIEWING AREA	77.0 x 25.2	MM
DOT SIZE	0.55 x 0.55	MM
CHARACTER SIZE	2.96 x 4.75	MM

ABSOLUTE MAXIMUM RATING

ITEM	SYMBOL	STANDARD VALUE			UNIT
		MIN.	TYP.	MAX.	
V-MODULE	VDD-VSS	-0.3	—	7.0	V
V-INPUT	VI	-0.3	—	VDD	

VSS=0V, VDD=5.0V

ELECTRICAL CHARACTERISTICS

ITEM	SYMBOL	CONDIT.	STANDARD VALUE			UNIT
			MIN.	TYP.	MAX.	
INPUT VOLTAGE	VDD	VDD=+5V	4.7	5.0	5.3	V
SUPPLY CURRENT	IDD	VDD=+5V	—	1.0	1.2	MA
RECOMMENDED LC DRIVING VOLTAGE FOR STANDARD TEMP. MODULES	VDD-V0	-20 °C	5.0	5.1	5.7	V
		0 °C	4.6	4.8	5.2	
		25 °C	4.1	4.5	4.7	
		50 °C	3.9	4.2	4.5	
		70 °C	3.7	3.9	4.3	
LED FORWARD VOLTAGE	VF	25 °C	—	4.2	4.6	MA
LED FORWARD CURRENT	IF	25 °C	—	280	560	
LED WHITE VOLTAGE*	ILED	*3.5 V	50	60	75	

OPTIONS: STN Y/G STN Y/G STN BLUE STN GRAY
 MODE/BACKLIGHT: REFL.POS. POS./LEDY NEG./LEDW POS./LEDW

THIS DATA SHEET IS FOR REFERENCE ONLY.
 THE COLOR OF THE DISPLAY MAY VARY SLIGHTLY DEPENDING ON DIFFERENT PRODUCTION LOTS AND AMBIENT LIGHT. WE RESERVE THE RIGHT TO CHANGES AND IMPROVMENTS WITHOUT PRIOR NOTICE.

• 5x7 DOTS WITH CURSOR • 1/16 DUTY • +5V SINGLE SUPPLY • BUILT IN CONTROLLER (KS0066 OR EQUIVALENT) • B/L DRIVEN BY PIN 1 AND 2, 15 AND 16 OR A,K

AV2040

20x4 CHARACTERS

Tel.: +49 89 89979764
 Fax: +49 89 89979765



Email: sales@dst-gmbh.de
 Internet: www.dst-gmbh.de

ALL DIMENSIONS ARE IN MM. TOLERANCE IS +/-0.3 UNLESS OTHERWISE NOTED.



TOOΣE
 MAΨ