

PIN ASSIGNMENT

NO.	SYMBOL	FUNCTION DISCRPTION	
1	VSS	GROUND	
2	VDD	POWER SUPPLY (*5V)	
3	V0	CONTRAST ADJUSTMENT	
4	RD	E	READ (8080) ENABLE (6800)
5	WR	R/W	WRITE (8080) R/W (6800)
6	A0		DATA TYPE SELECT
7-14	DB0~DB7		DATA BUS LINE
15	CS		CHIP SELECT
16	RST		CONTROLLER RESET
17	VEE		NEG.VOLTAGE OUTPUT OPTIONAL
18	FGND		FRAME GROUND OPTION
19	NC		NO CONNECTION
20	NC		NO CONNECTION

MECHANICAL DATA

ITEM	STANDARD VALUE	UNIT
MODULE SIZE	148.0 x 120.2	MM
VIEWING AREA	120.1 x 92.1	MM
DOT SIZE	0.34 x 0.34	MM
DOT PITCH	0.36 x 0.36	MM

ABSOLUTE MAXIMUM RATING

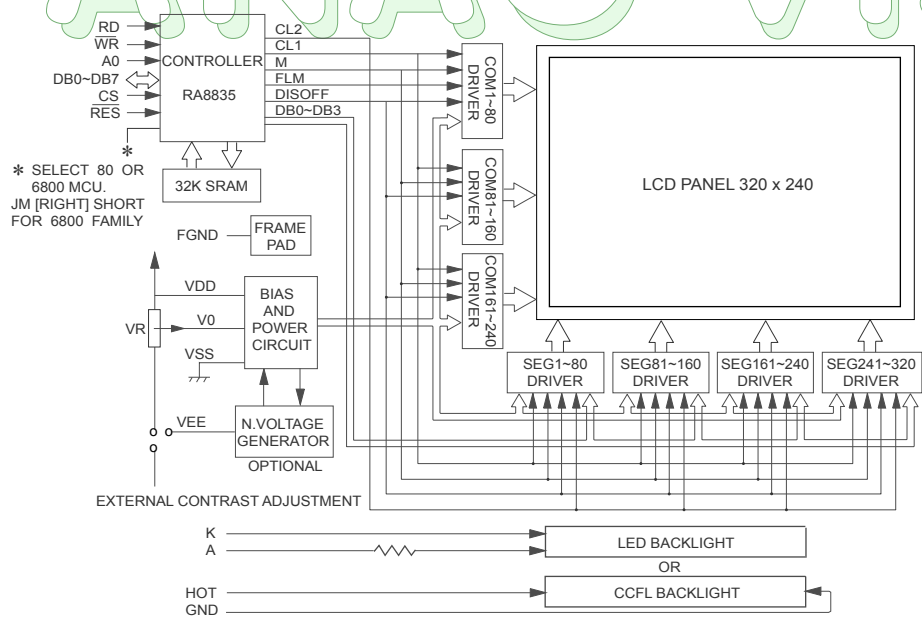
ITEM	SYMBOL	STANDARD VALUE			UNIT
		MIN.	TYP.	MAX.	
V-MODULE	VDD-VSS	4.75	5.0	5.25	V
V-INPUT	VI	-0.3	-	VDD	V

VSS=0V, VDD=5.0V

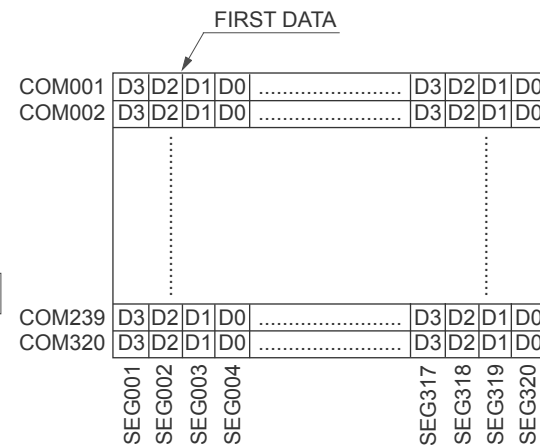
ELECTRICAL CHARACTERISTICS

ITEM	SYMBOL	CONDIT.	STANDARD VALUE			UNIT
			MIN.	TYP.	MAX.	
INPUT VOLTAGE	VIO	VIH	0.7VDD	-	VDD	V
		VIL	VSS	-	0.3VDD	V
SUPPLY CURRENT	IDD	VDD=+5V	-	100	110	MA
RECOMMENDED LC DRIVING VOLTAGE FOR STANDARD TEMP. MODULES	VDD-V0	-20 °C	-	-	26.5	V
		25 °C	-	24.0	-	V
		70 °C	22.1	-	-	V
LED FORWARD VOLTAGE	VF	25 °C	-	4.2	4.6	MA
LED FORWARD CURRENT	IF	25 °C	-	130	260	MA
LED WHITE VOLTAGE*	ILED	*3.7 V	120	150	225	MA

OPTIONS: STN Y/G STN Y/G STN BLUE STN GRAY
 MODE/BACKLIGHT: REFL.POS. POS./LEDY NEG./LEDW POS./LEDW
 THIS DATA SHEET IS FOR REFERENCE ONLY.
 THE COLOR OF THE DISPLAY MAY VARY SLIGHTLY DEPENDING ON DIFFERENT PRODUCTION LOTS AND AMBIENT LIGHT. WE RESERVE THE RIGHT TO CHANGES AND IMPROVMENTS WITHOUT PRIOR NOTICE.



ANALOG VISION



• 320 X 240 DOTS GRAPHIC • 1/240 DUTY • CONTROLLER RA8835 OR EQU. AND SRAM ON BOARD • +5V SINGLE SUPPLY • RESISTIVE TOUCH PANEL OPTIONAL • CCFL OR LED B/L

AV32243(R)

320x240 GRAPHIC

Tel.: +49 89 89979764
 Fax: +49 89 89979765



Email: info@dst-gmbh.de
 Internet: www.dst-gmbh.de

ALL DIMENSIONS ARE IN MM. TOLERANCE IS +/-0.3 UNLESS OTHERWISE NOTED.



TOOSE IYAI