

WF70G TFT-LCD Modules

- 7.0" 800 x 480 Pixel TFT-LCD with Digital Interface
- Option for RGB/MCU - NA/SSD1963
- Optional available with Touch Panel
- LED-Backlight

Distributed by



WINSTAR TFT TYPE LCD

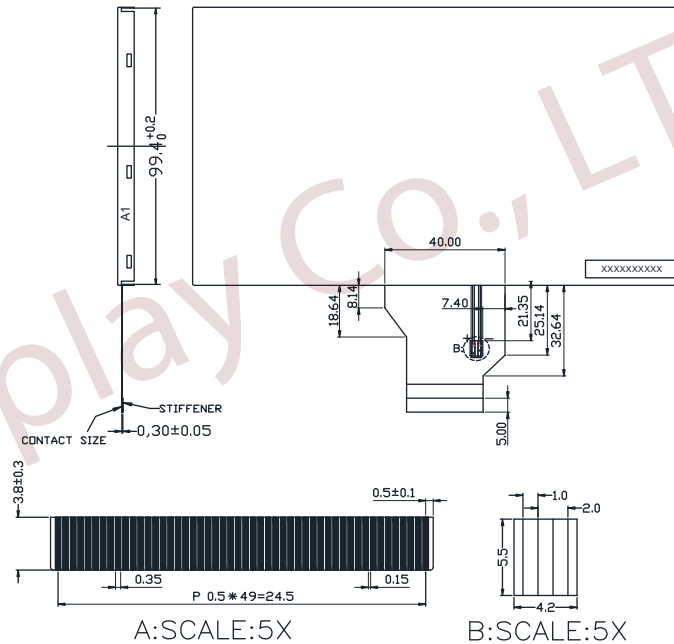
Tel.: +49 89 89979764

Fax: +49 89 89979765

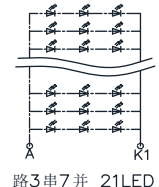
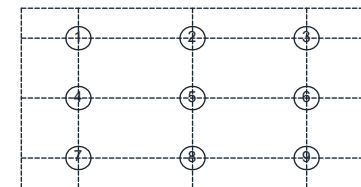
Email: info@dst-gmbh.de

Internet: www.dst-gmbh.de

The non-specified tolerance of dimension is $\pm 0.3\text{mm}$.



PIN	
1	A
2	A
3	K
4	K
5	GND
6	VCOM
7	AVCC
8	MDE
9	DE
10	VS
11	HS
12	B7
13	B6
14	B5
15	B4
16	B3
17	B2
18	B1
19	B0
20	G7
21	G6
22	G5
23	G4
24	G3
25	G2
26	G1
27	G0
28	R7
29	R6
30	R5
31	R4
32	R3
33	R2
34	R1
35	R0
36	GND
37	DCLK
38	GND
39	L/R
40	U/D
41	VGH
42	VGL
43	AVDD
44	RESET
45	NC
46	VCOM
47	DI THB
48	GND
49	NC
50	NC



路3串7并 21LED