

	NO B/L OR EL	LED B/L
H1	9.3 Max.	14.5 Max.
H2	4.7	9.9

PIN ASSIGNMENT

NO.	SYMBOL	FUNCTION DISCRIPTION
1	FG	FRAME GROUND
2	VSS	POWER SUPPLY (GND)
3	VDD	POWER SUPPLY (+5V)
4	V0	CONTRUST ADJUSTMENT
5	WR	DATA WRITE SIGNAL
6	RD	DATA READ SIGNAL
7	CE	CHIP ENABLE
8	C/D	COMMAND/DATA READ/WRITE
9	NC	NO CONNECTION
10	RST	CONTROLLER RESET
11-18	DB0-DB7	DATA BUS LINE
19	FS	FONT SELECT
20	NC/VEE	NC/NEGATIVE VOLTAGE OUTPUT
21	A	ANODE (4.2V)
22	K	KATHODE (0V)

MECHANICAL DATA

ITEM	STANDARD VALUE	UNIT
MODULE SIZE	85.0 x 100.0	MM
VIEWING AREA	62.0 x 62.0	MM
DOT SIZE	0.40 x 0.40	MM
DOT PITCH	0.43 x 0.43	MM

ABSOLUTE MAXIMUM RATING

ITEM	SYMBOL	STANDARD VALUE			UNIT
		MIN.	TYP.	MAX.	
SUPPLY VOLTAGE	VDD-VSS	4.75	5.0	5.25	V
INPUT VOLTAGE	VI	-0.3	-	VDD	

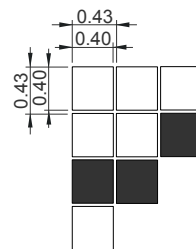
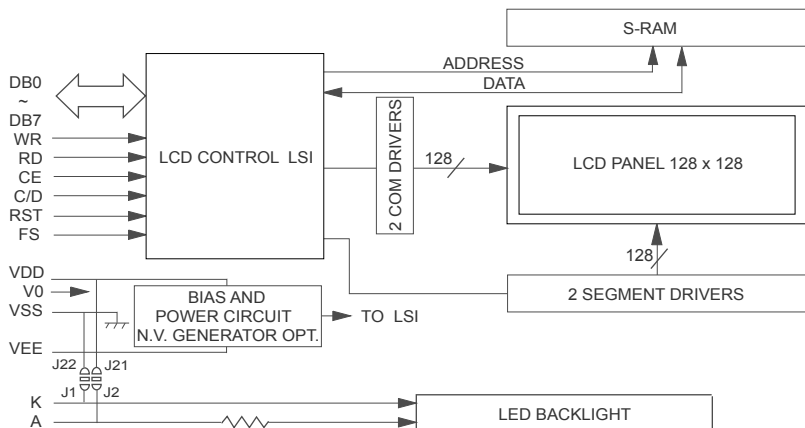
VSS=0V, VDD=5.0V

ELECTRICAL CHARACTERISTICS

ITEM	SYMBOL	CONDIT.	STANDARD VALUE			UNIT		
			MIN.	TYP.	MAX.			
INPUT VOLTAGE	VIO	VLL	VSS	-	0.3VDD	V		
		VHL	0.7VDD	-	VDD			
SUPPLY CURRENT	IDD	VDD =+5V	-	1.5	-	MA		
RECOMMENDED LC DRIVING VOLTAGE FOR STANDARD TEMP. MODULES	VDD-V0	-20 °C	-	18.0	-	V		
		0 °C	-	17.5	-			
		25 °C	-	17.0	-			
		50 °C	-	16.0	-			
LED FORWARD VOLTAGE	VF	25 °C	-	4.2	4.6	MA		
		LED FORWARD CURRENT	IF	25 °C	-		500	-
		LED WHITE VOLTAGE*	ILED	*3.5 V	96		120	180

OPTIONS: STN Y/G STN Y/G STN BLUE STN GRAY
 MODE/BACKLIGHT: REFL.POS. POS./LEDY NEG./LEDW POS./LEDW

THIS DATA SHEET IS FOR REFERENCE ONLY.
 THE COLOR OF THE DISPLAY MAY VARY SLIGHTLY DEPENDING ON DIFFERENT PRODUCTION LOTS AND AMBIENT LIGHT. WE RESERVE THE RIGHT TO CHANGES AND IMPROVMENTS WITHOUT PRIOR NOTICE.



• BUILT IN CONTROLLER (T6963C OR EQUIVALENT) • +5V SINGLE POWER SUPPLY • NV OPTINAL • 1/128 DUTY • FSTN B/W • STN BLUE AND MORE • TEMP.-COMPENSATION OPTIONAL

AV121281

128x128 GRAPHIC

Tel.: +49 89 89979764
 Fax: +49 89 89979765



Email: info@dst-gmbh.de
 Internet: www.dst-gmbh.de

ALL DIMENSIONS ARE IN MM. TOLERANCE IS +/-0.3 UNLESS OTHERWISE NOTED.



TO252
 APPIA