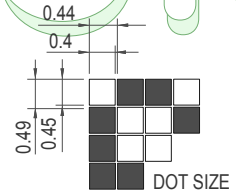
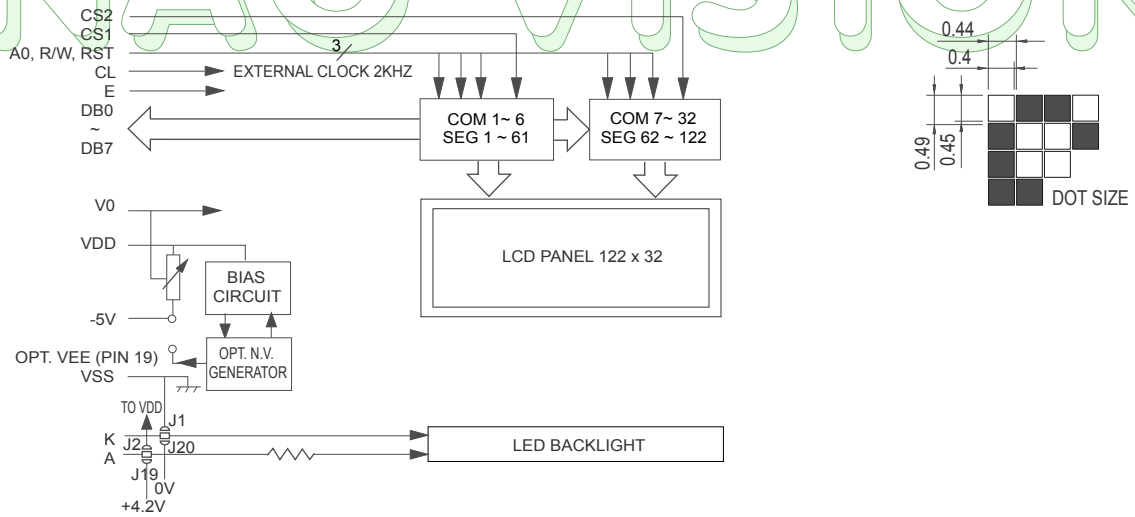


ANAG VISION



PIN ASSIGNMENT

NO.	SYMBOL	FUNCTION DISCRIPTION
1	VSS	POWER SUPPLY (GND)
2	VDD	POWER SUPPLY (+5V)
3	V0	CONTRUST ADJUSTMENT
4	A0	DATA/INSTRUCTION SELECT
5	CS1	CHIP SELECT 1
6	CS2	CHIP SELECT 2
7	CL	EXTERNAL CLOCK 2KHZ
8	E	ENABLE SIGNAL
9	R/W	DATA READ/WRITE
10 - 17	DB0-DB7	DATA BUS LINE
18	RST	CONTROLLER RESET
19	A	ANODE (4.2 V)
20	K	KATHODE (0 V)

MECHANICAL DATA

ITEM	STANDARD VALUE	UNIT
MODULE SIZE	84.0 x 44.0	MM
VIEWING AREA	60.0 x 18.0	MM
DOT PITCH	0.44 x 0.49	MM
DOT SIZE	0.40 x 0.45	MM

ABSOLUTE MAXIMUM RATING

ITEM	SYMBOL	STANDARD VALUE			UNIT
		MIN.	TYP.	MAX.	
SUPPLY VOLTAGE	VDD-VSS	4.75	5.0	5.25	V
INPUT VOLTAGE	VI	0	-	VDD	

VSS=0V, VDD=5.0V

ELECTRICAL CHARACTERISTICS

ITEM	SYMBOL	CONDIT.	STANDARD VALUE			UNIT
			MIN.	TYP.	MAX.	
INPUT VOLTAGE	VIO	VLL	0	-	0.3VDD	V
		VHL	0.7VDD	-	VDD	
SUPPLY CURRENT	IDD	VDD =+5V	-	0.6	0.8	MA
RECOMMENDED LC DRIVING VOLTAGE FOR STANDARD MODULES	VDD-V0	-20 °C	5.3	5.4	5.5	V
		0 °C	4.7	4.8	4.9	
		25 °C	4.6	4.7	4.8	
		50 °C	4.3	4.4	4.6	
		70 °C	4.1	4.2	4.4	
LED FORWARD VOLTAGE	VF	25 °C	-	4.2	4.6	MA
LED FORWARD CURRENT	IF	25 °C	-	120	240	
LED WHITE VOLTAGE*	ILED	*3.5 V	30	40	50	

OPTIONS: STN Y/G STN Y/G STN BLUE STN GRAY
 MODE/BACKLIGHT: REFL.POS. POS./LEDY NEG./LEDW POS./LEDW

THIS DATA SHEET IS FOR REFERENCE ONLY.
 THE COLOR OF THE DISPLAY MAY VARY SLIGHTLY DEPENDING ON DIFFERENT PRODUCTION LOTS AND AMBIENT LIGHT. WE RESERVE THE RIGHT TO CHANGES AND IMPROVMENTS WITHOUT PRIOR NOTICE.

• BUILT IN CONTROLLER (SED1520 OR EQUIVALENT) • ±5V POWER SUPPLY • NV FOR +3V DRIVE OPTIONAL • 1/32 DUTY • EXTERNAL OSCILLATOR 2KHZ REQUIRED

AV122322

122x32 GRAPHIC

Tel.: +49 89 89979764
 Fax: +49 89 89979765



Email: info@dst-gmbh.de
 Internet: www.dst-gmbh.de

ALL DIMENSIONS ARE IN MM. TOLERANCE IS +/-0.3 UNLESS OTHERWISE NOTED.



TOOE
 MAW