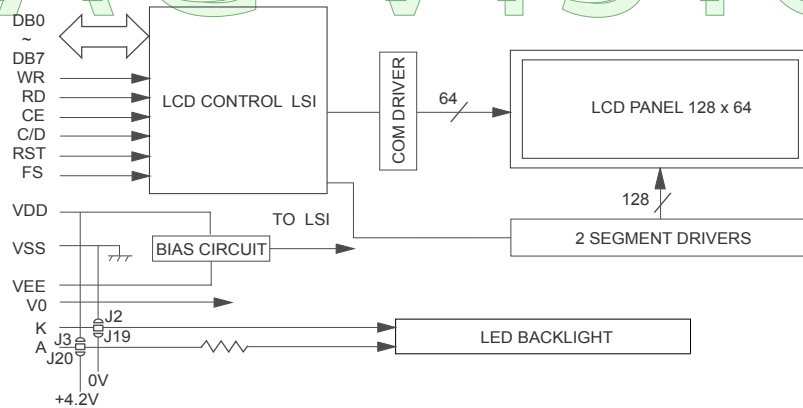


ANAG VISION



PIN ASSIGNMENT

NO.	SYMBOL	FUNCTION DISCRIPTION
1	FGND/VEE	FRAME GROUND/ N/V
2	VSS	POWER SUPPLY (0V)
3	VDD	POWER SUPPLY (+5V)
4	V0	CONTRUST ADJUSTMENT
5	WR	DATA WRITE
6	RD	DATA READ
7	CE	CHIP ENABLE
8	CD	COMAND/DATA SIGNAL
9	RST	CONTROLLER RESET
10-17	DB0-DB7	DATA BUS LINE
18	FS	FONT SELECT
19	K	KATHODE (0 V)
20	A	ANODE (4.2 V)

MECHANICAL DATA

ITEM	STANDARD VALUE	UNIT
MODULE SIZE	78.0 x 70.0	MM
VIEWING AREA	62.0 x 44.0	MM
DOT SIZE	0.42 x 0.58	MM
DOT PITCH	0.44 x 0.60	MM

ABSOLUTE MAXIMUM RATING

ITEM	SYMBOL	STANDARD VALUE			UNIT
		MIN.	TYP.	MAX.	
SUPPLY VOLTAGE	VDD-VSS	4.5	5.0	5.5	V
INPUT VOLTAGE	VI	-0.3	—	VDD	

VSS=0V, VDD=5.0V

ELECTRICAL CHARACTERISTICS

ITEM	SYMBOL	CONDIT.	STANDARD VALUE			UNIT
			MIN.	TYP.	MAX.	
INPUT VOLTAGE	VIO	VLL	VSS	—	0.3VDD	V
		VHL	0.7VDD	—	VDD	
SUPPLY CURRENT	IDD	VDD =+5V	—	11.2	11.8	MA
RECOMMENDED LC DRIVING VOLTAGE FOR STANDARD MODULES	VDD-V0	-20 °C	9.6	10.1	10.6	V
		0 °C	9.4	9.9	10.4	
		25 °C	9.2	9.4	10.4	
		50 °C	8.7	9.2	9.7	
		70 °C	8.5	9.0	9.5	
LED FORWARD VOLTAGE	VF	25 °C	—	4.2	—	MA
LED FORWARD CURRENT	IF	25 °C	—	350	700	
LED WHITE VOLTAGE*	ILED	*3.5 V	120	160	200	

OPTIONS: STN Y/G STN Y/G STN BLUE STN GRAY
 MODE/BACKLIGHT: REFL.POS. POS./LEDY NEG./LEDW POS./LEDW

THIS DATA SHEET IS FOR REFERENCE ONLY.
 THE COLOR OF THE DISPLAY MAY VARY SLIGHTLY DEPENDING ON DIFFERENT PRODUCTION LOTS AND AMBIENT LIGHT. WE RESERVE THE RIGHT TO CHANGES AND IMPROVMENTS WITHOUT PRIOR NOTICE.

• BUILT IN CONTROLLER (T6963C OR EQUIVALENT) • +5V SINGLE POWER SUPPLY • NV BUILT IN • 1/64 DUTY • FSTN B/W • STN BLUE AND MORE

AV128643

128x64 GRAPHIC

Tel.: +49 89 89979764
 Fax: +49 89 89979765



Email: sales@dst-gmbh.de
 Internet: www.dst-gmbh.de

ALL DIMENSIONS ARE IN MM. TOLERANCE IS +/-0.3 UNLESS OTHERWISE NOTED.



ΤΟΟΣΕ
 ΜΑΨ