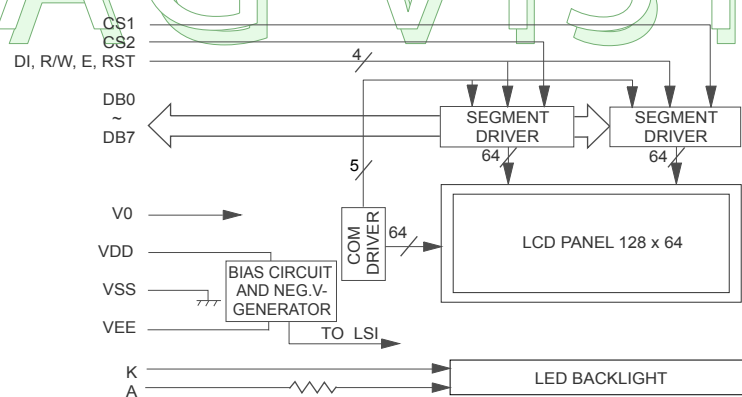


ANAGVISION



PIN ASSIGNMENT

NO.	SYMBOL	FUNCTION DISCRIPTION
1	VSS	POWER SUPPLY (GND)
2	VDD	POWER SUPPLY (+5V)
3	V0	CONTRUST ADJUSTMENT
4	D/I	DATA/INSTRUCTION SELECT
5	R/W	DATA READ/WRITE
6	E	ENABLE SIGNAL
7-14	DB0-DB7	DATA BUS LINE
15	CS1	CHIP SELECT 1
16	CS2	CHIP SELECT 2
17	RST	CONTROLLER RESET
18	VEE	NEGATIVE VOLTAGE OUTPUT
19	A	ANODE (4.2 V)
20	K	KATHODE (0 V)

MECHANICAL DATA

ITEM	STANDARD VALUE	UNIT
MODULE SIZE	80.0 x 70.0	MM
VIEWING AREA	72.0 x 40.0	MM
DOT PITCH	0.48 x 0.48	MM
DOT SIZE	0.52 x 0.52	MM

ABSOLUTE MAXIMUM RATING

ITEM	SYMBOL	STANDARD VALUE			UNIT
		MIN.	TYP.	MAX.	
SUPPLY VOLTAGE	VDD-VSS	4.75	5.0	5.25	V
INPUT VOLTAGE	VI	-0.3	-	VDD	

VSS=0V, VDD=5.0V

ELECTRICAL CHARACTERISTICS

ITEM	SYMBOL	CONDIT.	STANDARD VALUE			UNIT
			MIN.	TYP.	MAX.	
INPUT VOLTAGE	VIO	VLL	VSS	-	0.3VDD	V
		VHL	0.7VDD	-	VDD	
SUPPLY CURRENT	IDD	VDD =+5V	-	3.6	3.9	MA
RECOMMENDED LC DRIVING VOLTAGE FOR STANDARD MODULES	VDD-V0	-20 °C	9.9	10.4	10.9	V
		0 °C	9.7	10.2	10.7	
		25 °C	9.5	9.4	9.9	
		50 °C	8.6	9.1	9.6	
		70 °C	8.4	8.9	9.4	
LED FORWARD VOLTAGE	VF	25 °C	-	4.2	4.6	MA
LED FORWARD CURRENT	IF	25 °C	-	330	660	
LED WHITE VOLTAGE*	ILED	*3.5 V	120	160	200	

OPTIONS: STN Y/G STN Y/G STN BLUE STN GRAY
 MODE/BACKLIGHT: REFL.POS. POS./LEDY NEG./LEDW POS./LEDW

THIS DATA SHEET IS FOR REFERENCE ONLY.
 THE COLOR OF THE DISPLAY MAY VARY SLIGHTLY DEPENDING ON DIFFERENT PRODUCTION LOTS AND AMBIENT LIGHT. WE RESERVE THE RIGHT TO CHANGES AND IMPROVMENTS WITHOUT PRIOR NOTICE.

• BUILT IN CONTROLLER (KS0107- 8 OR EQUIVALENT) • +5V SINGLE POWER SUPPLY • NV BUILT IN • 1/64 DUTY • FSTN B/W • STN BLUE AND MORE

AV128646

128x64 GRAPHIC

Tel.: +49 89 89979764
 Fax: +49 89 89979765



Email: sales@dst-gmbh.de
 Internet: www.dst-gmbh.de

ALL DIMENSIONS ARE IN MM. TOLERANCE IS +/-0.3 UNLESS OTHERWISE NOTED.

TOOSE IYAI