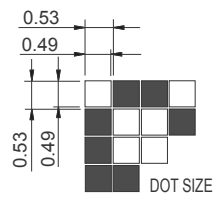
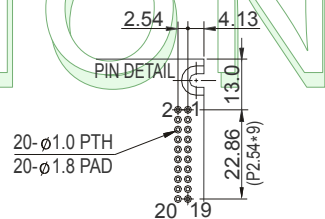
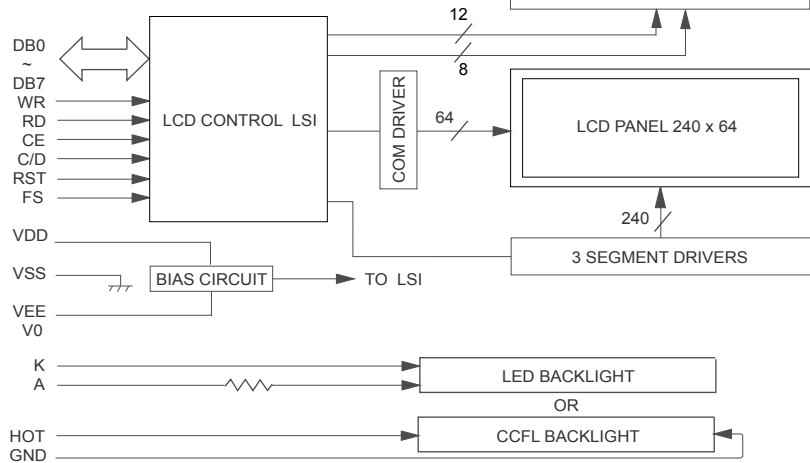


ANAG VISION



PIN ASSIGNMENT

NO.	SYMBOL	FUNCTION DISCRIPTION
1	FG	FRAME GROUND
2	VSS	POWER SUPPLY (GND)
3	VDD	POWER SUPPLY (+5V)
4	V0	CONTRUST ADJUSTMENT
5	WR	DATA WRITE SIGNAL
6	RD	DATA READ SIGNAL
7	CE	CHIP ENABLE
8	C/D	COMMAND/DATA READ/WRITE
9	VEE	NEGATIVE VOLTAGE OUTPUT
10	RST	CONTROLLER RESET
11-18	DB0-DB7	DATA BUS LINE
19	FS	FONT SELECT
20	NC	NO CONNECTION

MECHANICAL DATA

ITEM	STANDARD VALUE	UNIT
MODULE SIZE	180.0 x 65.0	MM
VIEWING AREA	133.0 x 39.0	MM
DOT SIZE	0.49 x 0.49	MM
DOT PITCH	0.53 x 0.53	MM

ABSOLUTE MAXIMUM RATING

ITEM	SYMBOL	STANDARD VALUE			UNIT
		MIN.	TYP.	MAX.	
SUPPLY VOLTAGE	VDD-VSS	4.75	5.0	5.25	V
INPUT VOLTAGE	VI	-0.3	-	VDD	

VSS=0V, VDD=5.0V

ELECTRICAL CHARACTERISTICS

ITEM	SYMBOL	CONDIT.	STANDARD VALUE			UNIT
			MIN.	TYP.	MAX.	
INPUT VOLTAGE	VIO	VLL	VSS	-	0.3VDD	V
		VHL	0.7VDD	-	VDD	
SUPPLY CURRENT	IDD	VDD =+5V	-	18.5	21.0	MA
RECOMMENDED LC DRIVING VOLTAGE FOR STANDARD TEMP. MODULES	VDD-V0	-20 °C	13.0	13.5	14.1	V
		0 °C	12.5	13.1	13.7	
		25 °C	12.1	12.7	13.3	
		50 °C	11.1	12.2	13.0	
LED FORWARD VOLTAGE	VF	25 °C	-	4.2	4.6	MA
		LED FORWARD CURRENT	IF	25 °C	-	
LED WHITE VOLTAGE*	ILED	*3.5 V	80	100	125	MA

OPTIONS: STN Y/G STN Y/G STN BLUE STN GRAY
 MODE/BACKLIGHT: REFL.POS. POS./LEDY NEG./LEDW POS./LEDW

THIS DATA SHEET IS FOR REFERENCE ONLY.
 THE COLOR OF THE DISPLAY MAY VARY SLIGHTLY DEPENDING ON DIFFERENT PRODUCTION LOTS AND AMBIENT LIGHT. WE RESERVE THE RIGHT TO CHANGES AND IMPROVMENTS WITHOUT PRIOR NOTICE.

• BUILT IN CONTROLLER (T6963C OR EQUIVALENT) • +5V SINGLE POWER SUPPLY • NV BUILT IN • 1/64 DUTY • FSTN B/W • STN BLUE AND MORE • TEMP.-COMPENSATION OPTIONAL

AV24642

240x64 GRAPHIC

Tel.: +49 89 89979764
 Fax: +49 89 89979765



Email: sales@dst-gmbh.de
 Internet: www.dst-gmbh.de

ALL DIMENSIONS ARE IN MM. TOLERANCE IS +/-0.3 UNLESS OTHERWISE NOTED.



ΤΟΟΣΕ ΑΤΡΙΑ