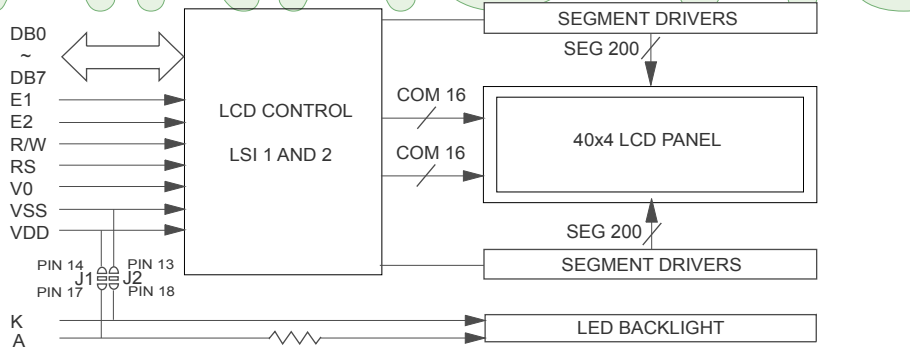
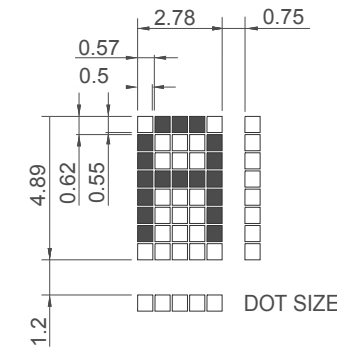
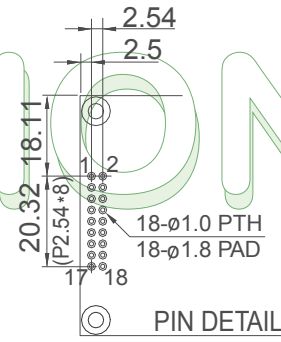


ANAG VISION



DISPLAY POSITION	1	2	3	4	5	6	7	8	9	10	11	12	-	-	39	40
LINE 1	00	01													26	27
LINE 2	40	41													66	67
LINE 3	14	15													26	27
LINE 4	54	55													66	67



PIN ASSIGNMENT

NO.	SYMBOL	FUNCTION DISCRIPTION
1-8	DB7-DB0	DATA BUS LINE
9	E1	ENABLE SIGNAL CONTROLLER 1
10	R/W	READ/WRITE
11	RS	FUNCTION SELECT
12	V0	LCD DRIVE
13	VSS	GND, 0V
14	VDD	+5V (+3V ON REQUEST)
15	E2	ENABLE SIGNAL CONTROLLER 2
16	NC/VEE	NC OR NEGATIVE OUTPUT
17	A*	4.2V FOR LED
18	K	POWER SUPPLY FOR LED 0V

MECHANICAL DATA

ITEM	STANDARD VALUE	UNIT
MODULE SIZE	190.0 x 54.0	MM
VIEWING AREA	147.0 x 29.5	MM
DOT SIZE	0.5 x 0.55	MM
CHARACTER SIZE	2.78 x 4.89	MM

ABSOLUTE MAXIMUM RATING

ITEM	SYMBOL	STANDARD VALUE			UNIT
		MIN.	TYP.	MAX.	
V-MODULE	VDD-VSS	-0.3	-	7.0	V
V-INPUT	VI	-0.3	-	VDD	

VSS=0V, VDD=5.0V

ELECTRICAL CHARACTERISTICS

ITEM	SYMBOL	CONDIT.	STANDARD VALUE			UNIT
			MIN.	TYP.	MAX.	
INPUT VOLTAGE	VDD	VDD=+5V	4.5	5.0	5.5	V
SUPPLY CURRENT	IDD	VDD=+5V	1.0	1.2	1.5	MA
RECOMMENDED LC DRIVING VOLTAGE FOR STANDARD TEMP. MODULES	VDD-V0	-20 °C	4.9	5.1	5.5	V
		0 °C	4.5	4.8	5.1	
		25 °C	4.1	4.5	4.7	
		50 °C	3.8	4.2	4.4	
		70 °C	3.5	3.9	4.1	
LED FORWARD VOLTAGE	VF	25 °C	-	4.2	4.6	MA
LED FORWARD CURRENT	IF	25 °C	480	600	900	
LED WHITE VOLTAGE*	ILED	*3.5 V	64	80	120	

OPTIONS: STN Y/G STN Y/G STN BLUE STN GRAY
 MODE/BACKLIGHT: REFL.POS. POS./LEDY NEG./LEDW POS./LEDW

THIS DATA SHEET IS FOR REFERENCE ONLY.
 THE COLOR OF THE DISPLAY MAY VARY SLIGHTLY DEPENDING ON DIFFERENT PRODUCTION LOTS AND AMBIENT LIGHT. WE RESERVE THE RIGHT TO CHANGES AND IMPROVEMENTS WITHOUT PRIOR NOTICE.

• 5x7 DOTS WITH CURSOR • 1/16 DUTY • +5V SINGLE SUPPLY • BUILT IN CONTROLLER (KS0066 OR EQUIVALENT) • B/L DRIVEN BY PIN 13 AND 14, 17 AND 18 OR A,K

AV4040

40x4 CHARACTERS

Tel.: +49 89 89979764
 Fax: +49 89 89979765



Email: sales@dst-gmbh.de
 Internet: www.dst-gmbh.de

ALL DIMENSIONS ARE IN MM. TOLERANCE IS +/-0.3 UNLESS OTHERWISE NOTED.

TOOΞE IYNI