

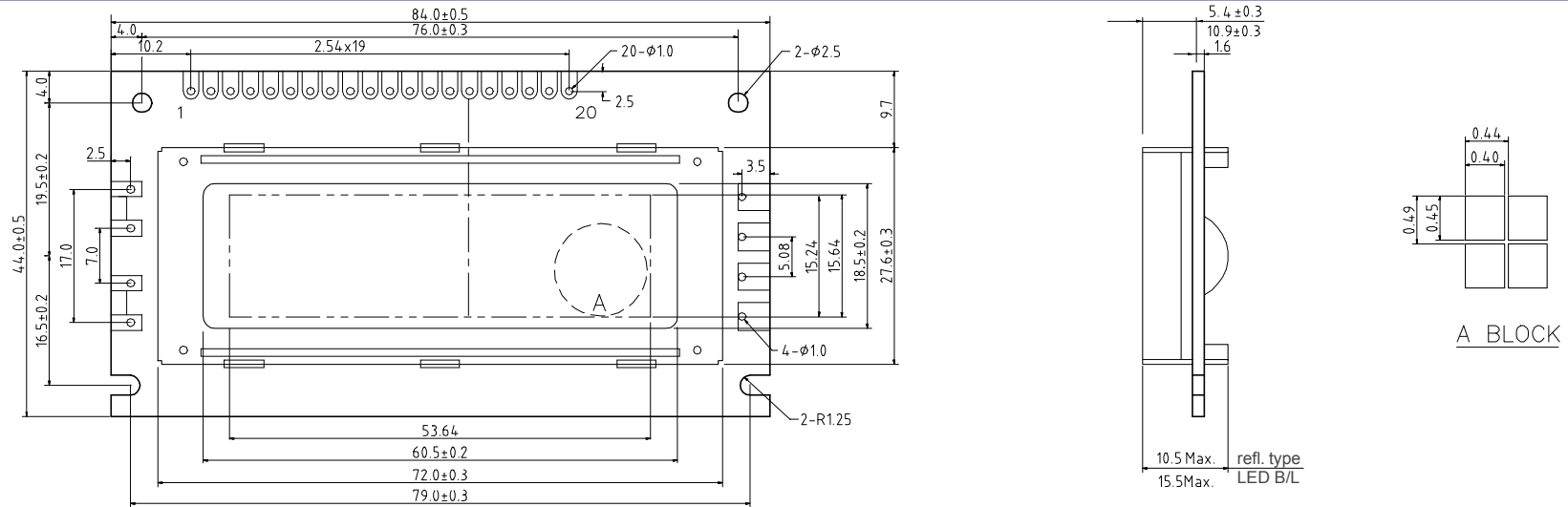
# DGF-12232 122x32 Dots

Mechanical Data			Option					
Item	Standard Value	Unit	LCD Type		Backlight Type		Touch Panel	Built-in Control LSI
Module Dimensions	84.0(W) X 44.0(H) X 10.5 / 15.5 max.(D)	mm	S1 / S2	•	LED	•		KS-0066U or Equivalent
Viewing Area	60.5(W) X 18.5(H)	mm	R / F	•	CCFL			
Dot Size	0.40(W) X 0.45(H)	mm	H	•	EL	•		
Dot Pitch	0.44(W) X 0.49(H)	mm						

## Pin Assignment

No.	Symbol	Function	No.	Symbol	Function
1	VSS	GND, 0V	8	/RD	Read Data
2	VDD	Power Supply for Logic (+5V)	9	/WR	Write Data
3	VEE	LCD Drive (-) external	10 ~ 17	DB0 ~ DB7	Data Bus Line
4	A0	L: Instruction H: Data	18	RES	Reset
5	CS1	Chip Enable 1 Active L	19	LED A	
6	CS2	Chip Enable 2 Active L	20	LED K	
7	CL	External Clock			

## External Dimensions



Tel.: +49 89 89979764  
Fax: +49 89 89979765

Email: sales@dst-gmbh.de  
Internet: www.dst-gmbh.de