

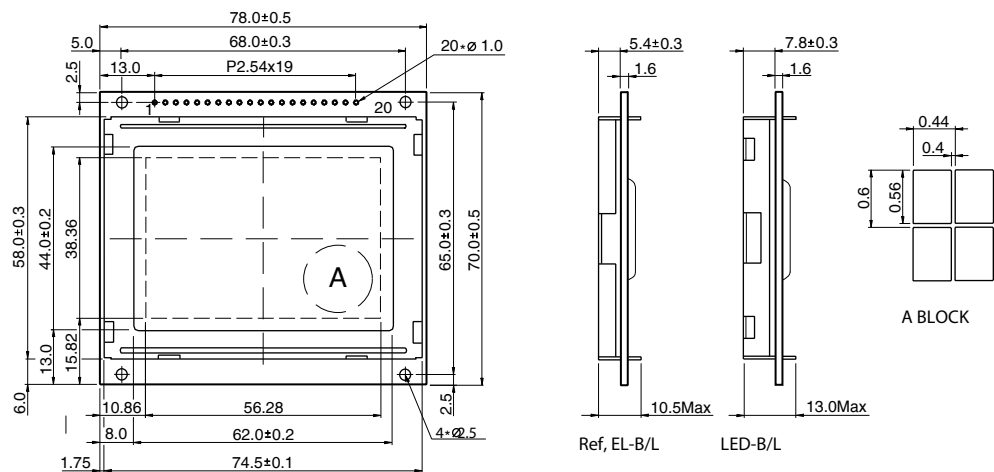
DGF-12864-11 128x64 Dots

Mechanical Data				Option				
Item	Standard Value	Unit	LCD Type		Backlight Type		Touch Panel	Built-in Control LSI
Module Dimensions	78.0(W) X 70.0(H) X 10.5 / 13.0 max.(D)	mm	S1 / S2	•	LED	•		KS-0066U or Equivalent
Viewing Area	62.0(W) X 44.0(H)	mm	R / F	•	CCFL			
Dot Size	0.40(W) X 0.56(H)	mm	H	•	EL	•		
Dot Pitch	0.44(W) X 0.60(H)	mm						

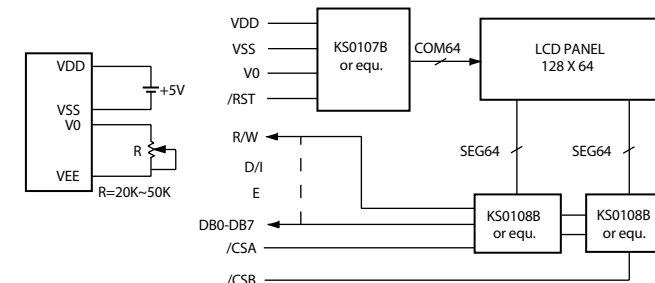
Pin Assignment

No.	Symbol	Function	No.	Symbol	Function
1	/CSA	Chip Selection	8	E	Enable Signal H, H/L
2	/CSB	Chip Selection	9 ~ 16	DB0 ~ DB7	Data Bus Line
3	VSS	GND, 0V	17	/RST	Reset
4	VDD	Power Supply for Logic & LCD (+5V)	18	VEE	Negative Voltage Output (-5V)
5	V ₀	Power Supply for LCD Drive (-5V)	19	NC	No Connection
6	D/I	Data (H)/Instruction(L)	20	NC	No Connection
7	R/W	Data read (H)/Date write(L)			

External Dimensions



Block Diagram



Tel.: +49 89 89979764
Fax: +49 89 89979765

Email: sales@dst-gmbh.de
Internet: www.dst-gmbh.de