

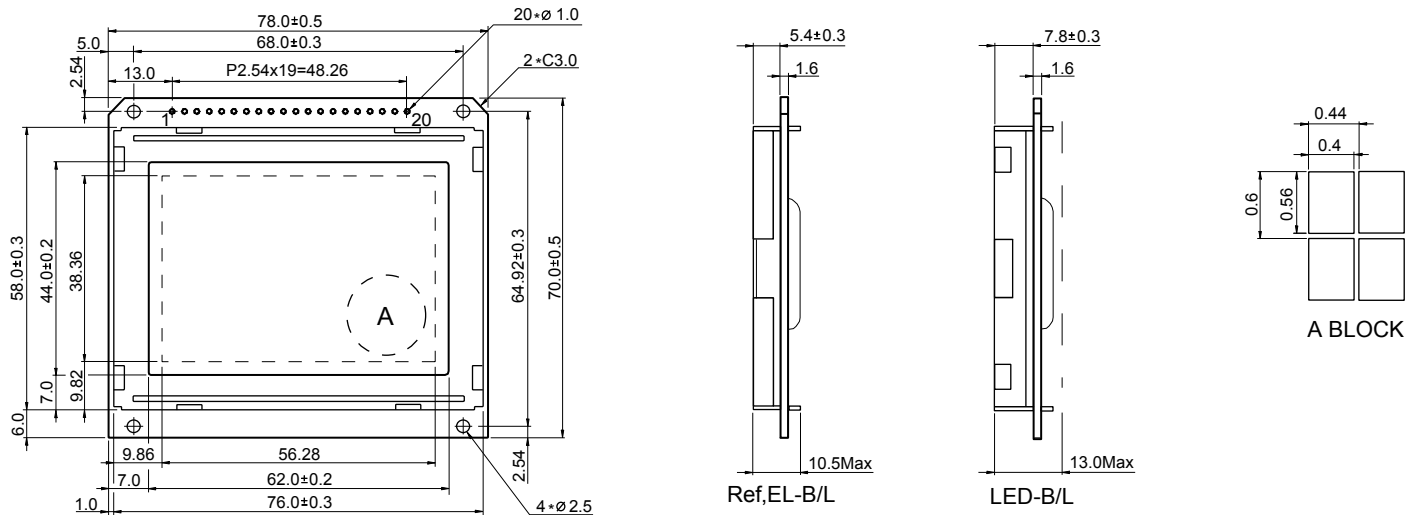
# DGF-12864-12 128x64 Dots

Mechanical Data			Option					
Item	Standard Value	Unit	LCD Type		Backlight Type		Touch Panel	Built-in Control LSI
Module Dimensions	78.0(W) X 70.0(H) X 10.5 / 13.0 max.(D)	mm	S1 / S2	•	LED	•		KS-0066U or Equivalent
Viewing Area	62.0(W) X 44.0(H)	mm	R / F	•	CCFL			
Dot Size	0.40(W) X 0.56(H)	mm	H	•	EL	•		
Dot Pitch	0.44(W) X 0.60(H)	mm						

## Pin Assignment

No.	Symbol	Function	No.	Symbol	Function
1	FG	Frame Ground	8	CD	Code/Datal
2	VSS	GND, 0V	9	RST	Reset
3	VDD	Power Supply for Logic & LCD (+5V)	10 ~ 17	DB0 ~ DB7	Data Bus Line
4	VEE	Power Supply for LCD Drive (-5V)	18	FS	Font Select H=6x8 L=8x8
5	/WR	Data Write	19	LEDK	Power Supply LED
6	/RD	Data Read	20	LEDA	Power Supply LED
7	/CE	Chip Enable			

## External Dimensions



Tel.: +49 89 89979764  
Fax: +49 89 89979765

Email: sales@dst-gmbh.de  
Internet: www.dst-gmbh.de