

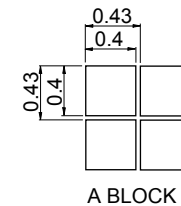
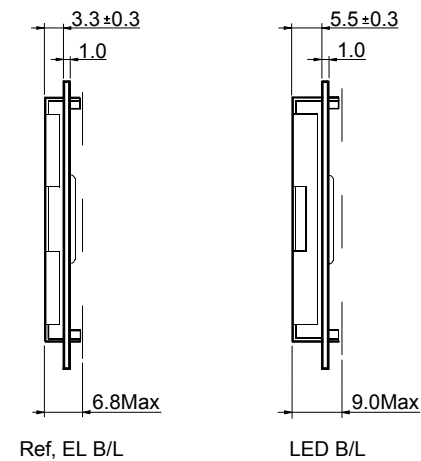
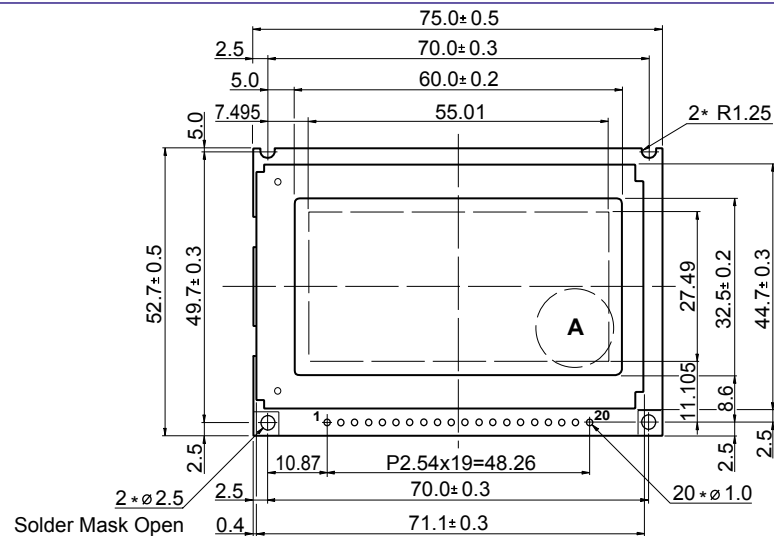
DGF-12864-15 128x64 Dots

Mechanical Data			Option					
Item	Standard Value	Unit	LCD Type		Backlight Type		Touch Panel	Built-in Control LSI
Module Dimensions	75.0(W) X 52.7(H) X 6.8 / 9.0 max.(D)	mm	S1 / S2	•	LED	•		KS-0066U or Equivalent
Viewing Area	60.0(W) X 32.5(H)	mm	R / F	•	CCFL			
Dot Size	0.40(W) X 0.40(H)	mm	H	•	EL	•		
Dot Pitch	0.43(W) X 0.43(H)	mm						

Pin Assignment

No.	Symbol	Function	No.	Symbol	Function
1	V _{DD}	Power Supply for Logic (+5V)	15	R/W	Read / Write
2	V _{SS}	GND, 0V	16	D/I	Data / Instruction Input
3	V _{LC}	LCD Drive (-8V)	17	E	Enable
4 ~ 11	DB0 ~ DB7	Data Bus Line	18	FGND	Frame Ground (0V)
12	/CS1	Chip Select for IC1	19	LEDK	Power Supply LED
13	/CS2	Chip Select for IC2	20	LEDA	Power Supply LED
14	/RST	Restet			

External Dimensions



Tel.: +49 89 89979764
Fax: +49 89 89979765

Email: sales@dst-gmbh.de
Internet: www.dst-gmbh.de