

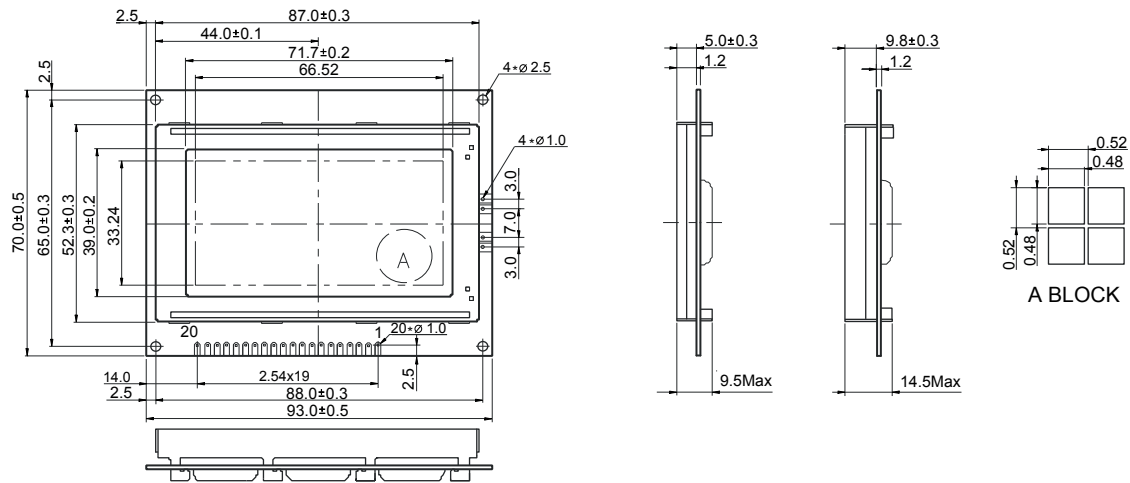
# DGF-12864 128x64 Dots Graphic Type

Mechanical Data			Option					
Item	Standard Value	Unit	LCD Type		Backlight Type		Touch Panel	Built-in Control LSI
Module Dimensions	93.0(W) X 70.0(H) X 9.5 max. (D)	mm	S1 / S2	•	LED	•		KS-0066U or Equivalent
Viewing Area	71.7(W) X 39.0(H)	mm	R / F	•	CCFL			
Dot Size	0.48(W) X 0.48(H)	mm	H	•	EL	•		
Dot Pitch	0.52(W) X 0.52(H)	mm						

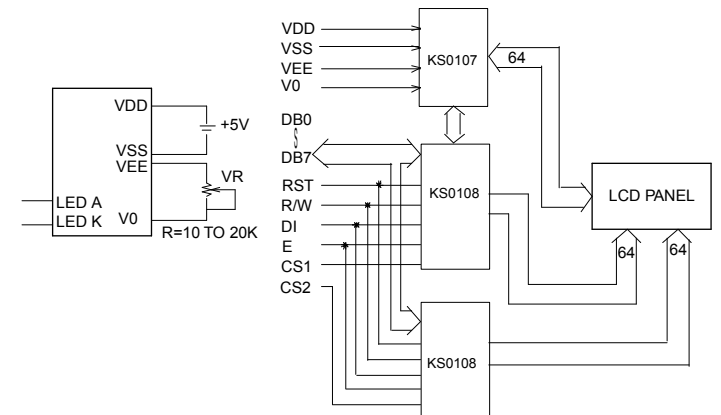
## Pin Assignment

No.	Symbol	Level	Function	No.	Symbol	Level	Function
1	V <sub>SS</sub>	—	GND, 0V	16	CS2	H	Chip Select for IC2
2	V <sub>DD</sub>	—	Power Supply for Logic +5V	17	RST	L	Reset
3	V <sub>0</sub>	—	Power Supply for LCD Driving	18	V <sub>EE</sub>	—	Negative Voltage Output (-10V)
4	D/I	H/L	H: Data Input L: Instruction Input	19	NC	—	
5	R/W	H/L	Read/Write	20	NC	—	
6	E	H,H-H	Enable Signal				
7~14	DB0 ~ 7	H/L	Data Bus Line				
15	CS1	H	Chip Select for IC1				

## External Dimensions



## Block Diagram



Tel.: +49 89 89979764  
Fax: +49 89 89979765

Email: sales@dst-gmbh.de  
Internet: www.dst-gmbh.de