

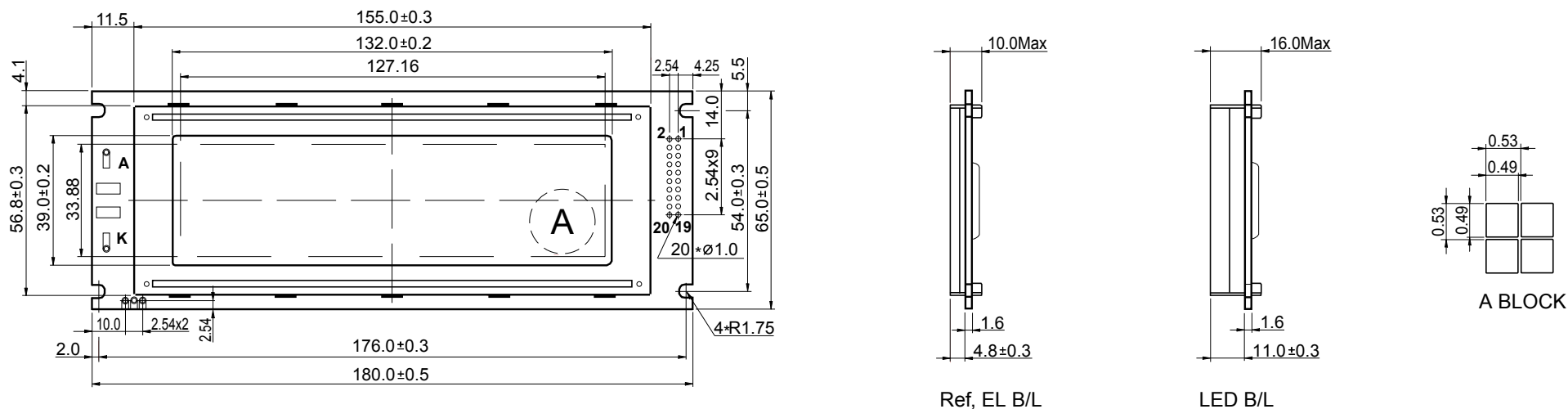
DGF-24064-2 240x64 Dots

Mechanical Data			Option					
Item	Standard Value	Unit	LCD Type		Backlight Type		Touch Panel	Built-in Control LSI
Module Dimensions	180.0(W) X 65.0(H) X 10.0 / 16.0 max.(D)	mm	S1 / S2	•	LED	•		T6963C or Equivalent
Viewing Area	132.0(W) X 39.0(H)	mm	R / F	•	CCFL			
Dot Size	0.49(W) X 0.49(H)	mm	H	•	EL	•		
Dot Pitch	0.53(W) X 0.53(H)	mm						

Pin Assignment

No.	Symbol	Function	No.	Symbol	Function
1	FGND	GND, 0V	8	C/D	Code / Data
2	VSS		9	NC	No Connection
3	VDD	Power Supply for Logic & LCD (+5V)	10	RESET	Controller Reset
4	VEE	Power Supply LCD (-)	11 ~ 18	DB0 ~ DB7	Data Bus Line
5	WR	Data Write	19	FS	Font Select
6	RD	Data Read	20	NC	No Connection
7	CE	Chip Enable			

External Dimensions



Tel.: +49 89 89979764
Fax: +49 89 89979765

Email: sales@dst-gmbh.de
Internet: www.dst-gmbh.de