

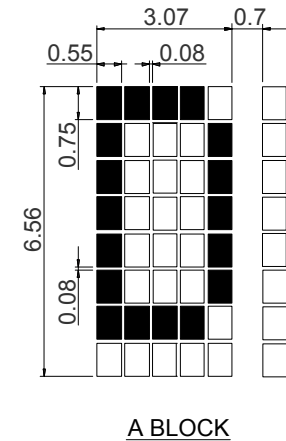
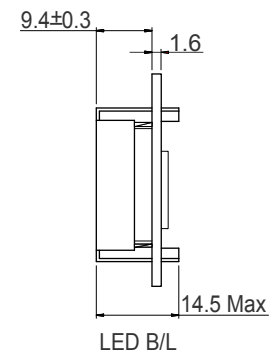
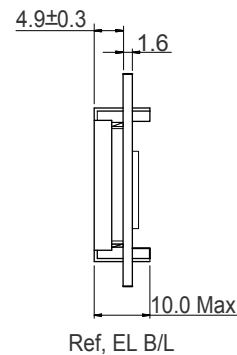
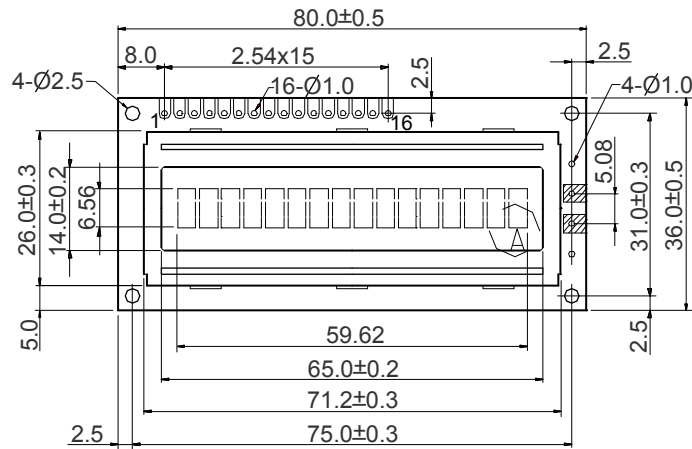
DVF-16100 16 Characters x 1 line

Mechanical Data			Option					
Item	Standard Value	Unit	LCD Type		Backlight Type		Touch Panel	Built-in Control LSI
Module Dimensions	80.0(W) X 36.0(H) X 10.0 max. (D)	mm	S1 / S2	•	LED	•		KS-0066U or Equivalent
Viewing Area	65.0(W) X 14.0(H)	mm	R / F	•	CCFL			
Dot Size	0.56(W) X 0.75(H)	mm	H	•	EL	•		
Dot Pitch	0.63(W) X 0.83(H)	mm						

Pin Assignment

No.	Symbol	Function	No.	Symbol	Function
1	V _{SS}	GND, 0V	9	DB2	Data Bus Line
2	V _{DD}	+5V	10	DB3	Data Bus Line
3	V _{EE}	For LCD Drive	11	DB4	Data Bus Line
4	RS	Function Select	12	DB5	Data Bus Line
5	R/W	Read/Write	13	DB6	Data Bus Line
6	E	Enable Signal	14	DB7	Data Bus Line
7	DB0	Data Bus Line	15	LEDA	LED Power Supply
8	DB1	Data Bus Line	16	LEDK	LED Power Supply

External Dimensions



Tel.: +49 89 89979764
Fax: +49 89 89979765

Email: sales@dst-gmbh.de
Internet: www.dst-gmbh.de