

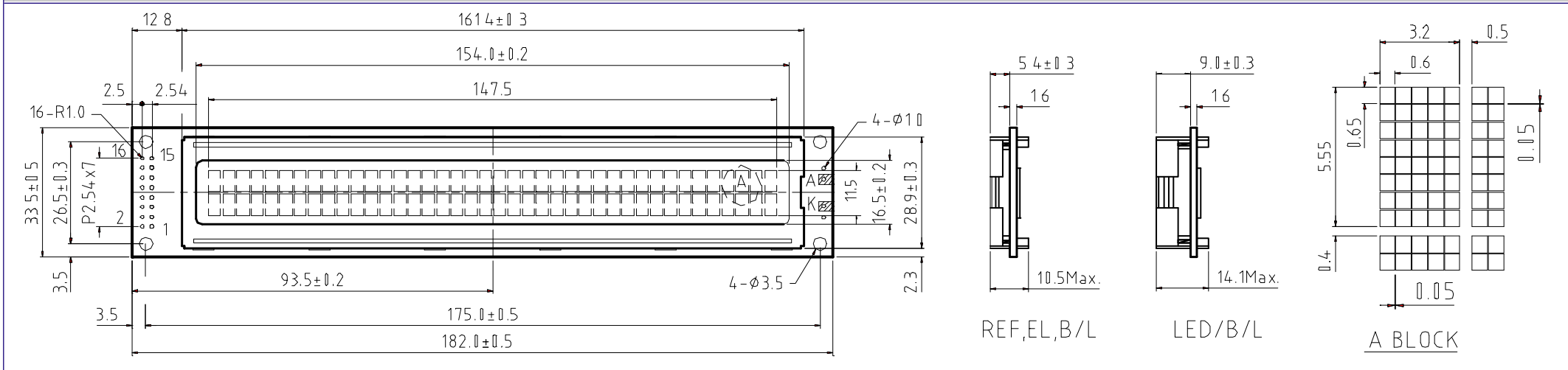
# DVF-40200 40 Characters x 2 lines

Mechanical Data			Option					
Item	Standard Value	Unit	LCD Type		Backlight Type		Touch Panel	Built-in Control LSI
Module Dimensions	182.0(W) X 33.5(H) X 10.5 / 14.1 max.(D)	mm	S1 / S2	•	LED	•		KS-0066U or Equivalent
Viewing Area	154.0(W) X 16.5(H)	mm	R / F	•	CCFL			
Dot Size	0.60(W) X 0.65(H)	mm	H	•	EL	•		
Dot Pitch	0.65(W) X 0.70(H)	mm						

## Pin Assignment

No.	Symbol	Function	No.	Symbol	Function
1	V <sub>SS</sub>	GND, 0V	9	DB2	Data Bus Line
2	V <sub>DD</sub>	+5V	10	DB3	Data Bus Line
3	V <sub>EE</sub>	For LCD Drive	11	DB4	Data Bus Line
4	RS	Function Select	12	DB5	Data Bus Line
5	R/W	Read/Write	13	DB6	Data Bus Line
6	E	Enable Signal	14	DB7	Data Bus Line
7	DB0	Data Bus Line	15	LEDA	LED Power Supply
8	DB1	Data Bus Line	16	LEDK	LED Power Supply

## External Dimensions



Tel.: +49 89 89979764  
Fax: +49 89 89979765

Email: sales@dst-gmbh.de  
Internet: www.dst-gmbh.de